

ONKYO® SERVICE MANUAL

Integrated Stereo Amplifier MODEL A-807

Black and Silver models

UD	120v AC, 60Hz.
UP	230V AC, 50Hz.
UQ	240V AC, 50Hz.
UW	120V/220V AC, 50Hz/60Hz.

SAFETY-RELATED COMPONENT WARNING!!

COMPONENTS IDENTIFIED BY MARK Δ ON THE SCHEMATIC DIAGRAM AND IN THE PARTS LIST ARE CRITICAL FOR RISK OF FIRE AND ELECTRIC SHOCK. REPLACE THESE COMPONENTS WITH ONKYO PARTS WHOSE PARTS NUMBERS APPEAR AS SHOWN IN THIS MANUAL.

MAKE LEAKAGE-CURRENT OR RESISTANCE MEASUREMENTS TO DETERMINE THAT EXPOSED PARTS ARE ACCEPTABLY INSULATED FROM THE SUPPLY CIRCUIT BEFORE RETURNING THE APPLIANCE TO THE CUSTOMER.

TABLE OF CONTENTS

Specifications	2
Precautions	2
Adjustment procedures	3
IC block diagram	4
Block diagram	7
Chassis exploded view	9
Printed circuit board parts list	12
Printed circuit board view	16
Schematic diagram	21
Front panel facilities	26
System connections	26
Packing part list	27



SPECIFICATIONS

Power Output:	80 watts per channel, min. RMS, at 8 ohms, both channels driven from 20 Hz to 20 kHz, with no more than 0.008% Total harmonic distortion.	
Dynamic Power:	210 watts at 2 ohms, 167 watts at 4 ohms 115 watts at 8 ohms	
Total Harmonic Distortion	0.008% at rated power 0.008% at 1 watt output	
Intermodulation Distortion:	0.005% at rated power	
Damping Factor:	150 at 8 ohms (1 kHz)	
Input Sensitivity/Impedance:	Phono (MM):	2.5 mV/50 kohms
	Phono (MC):	160 μ V/130 ohms
	CD:	150 mV/30 kohms
	TUNER:	150 mV/30 kohms
	Tape Play:	150 mV/30 kohms
Output Level/Impedance:	Tape Rec:	150 mV/1.0 kohms (Phono)
Phono Overload:	Phono (MM):	180 mV RMS. at 1 kHz, 0.015% THD.
Tone Control (Vol -20 dB):	BASS:	± 8 dB at 100 Hz
	TREBLE:	± 8 dB at 10 kHz
High Cut:	6 kHz (6 dB/Octave) (TREBLE min.)	
Frequency Response:	CD, Tuner:	2 Hz -50 kHz (+0, -1 dB)
RIAA Deviation:	Phono (MM):	± 0.3 dB, 20 Hz -20 kHz
Subsonic Filter:	20Hz (-3dB, 6dB/Oct)	
Signal to Noise Ratio (IHF-A):	Phono (MM):	93 dB (5.0 mV input)
	Phono (MC):	74 dB (0.5 mV input)
	CD (DIRECT):	107 dB
Attenuator:	-20 dB	
Muting:	- ∞	
Power Supply:	European models:	AC230V, 50 Hz
	U.S.A & Canadian models:	AC120V, 60 Hz
	U.K & Australia models:	AC240V, 50 Hz
	Worldwide models:	AC120 and 220V switchable, 50/60 Hz
Dimensions (W x H x D):	455 x 170 x 420 mm 17-15/16" x 6-11/16" x 16-9/16"	
Weight:	15.5 kg, 34.2 lbs	

Specifications and features are subject to change without notice.

PRECAUTIONS

1. Replacing the fuses

For continued protection against risk fire, replace only with same type and same rating fuse.

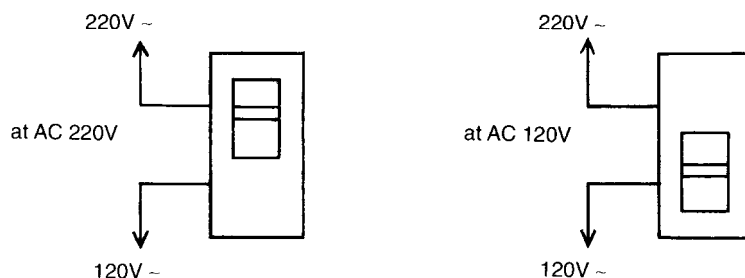
CIRCUIT NO.	PART NO.	DESCRIPTION,
F901	252051	6A ST-6, Primary fuse (120V, 120V/220V model),
F901	252075	2.5A-SE-EAK, Primary fuse (250V model),
F902	252076	3.15A-SE-EAK, Primary fuse (230V, 240V, 120V/220V models),

2. Insulation resistance measurement (Only U.S.A. model)

Connect the insulating-resistance tester between the plug of power supply cable and the terminal GND on the back panel.
Specification; More than 10M Ω at 500V.

3. Voltage selector (rear panel)

worldwide models are equipped with a voltage selector to conform with local power supplies. Be sure to set this switch to match the voltage of the power supply in your area before turning the power switch on. Voltage is changed by sliding the groove in the switch with a screwdriver to the up or down. Confirm that the switch has been moved all the way to the up or down before turning the power switch on. Models without a voltage selector can only be used in areas where the power supply is the same as that of the unit.



ADJUSTMENT PROCEDURES

Adjustments and Checking the Protection Circuitry

1. Preparations

- 1) Place the unit on the workbench. (There should be about 15 mm of space between the base plate of the unit and the work surface.)
- 2) Set up the unit as follows.
 - (1) No load
 - (2) No signal
 - (3) Volume turned all the way down
 - (4) Speaker switch OFF
 - (5) Power switch OFF

Note) Check the following points before making adjustments

- (1) The power switch should be OFF.
- (2) The interior of the unit should not be warm.

2. Idling current adjustment

- 1) Turn the power switch ON and allow the unit to warm up for about 10 minutes.
 - (1) Adjust R535 (R536) so that the voltage at test point VCT-IID on the NAAF-4209 circuit board is $15\text{mV} \pm 5\text{mV}$.

Note) Semi-fixed resistors enclosed in parentheses () are for the right channel.

3. Check of operation of protection circuitry

- 1) Check of operation of protection relay
 - (1) Confirm that the relay turns ON approximately 5 seconds after the power switch is turned ON.
 - (2) The SERVO indicator LED should light at the same time.
 - (3) The relay should turn OFF approximately 0.5 seconds after the power switch is turned OFF.
- 2) Check of DC detection and servo circuitry operation
 - (1) Turn the power on with no load.
 - (2) After the speaker relay turns ON, apply DC+200mV to the CD input terminals. Confirm that the relay turns OFF.
 - (3) Confirm that operation is the same as (2) above when an input of DC-200mV is applied.

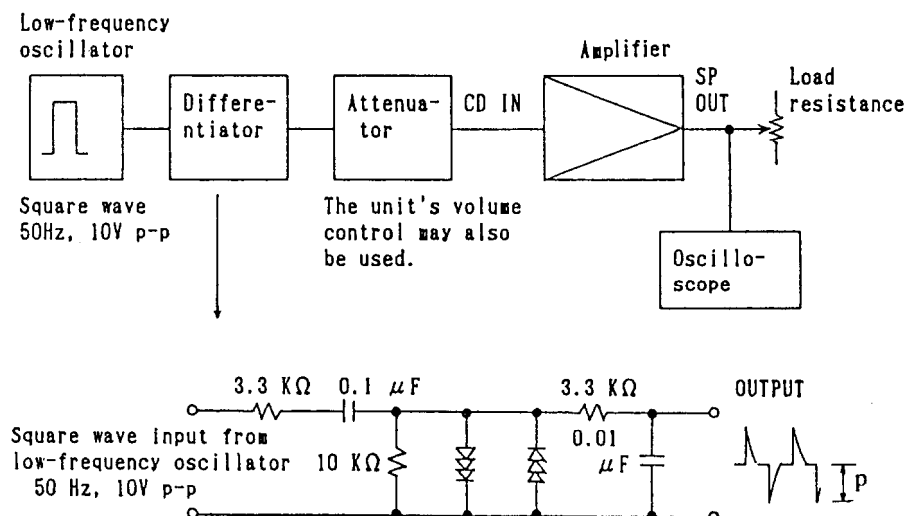
Note) Under no circumstances connect a load or short the speaker terminals when performing the above test.

3) Signal input from the circuit illustrated below with no load.

- (1) Confirm that the speaker relay does not turn OFF even when a 2 ohm load is connected when a peak value of 30Vp is output.
- (2) Next, confirm that when a 1 ohm load is connected the speaker relay switches OFF and ON a couple of times and then stays OFF.

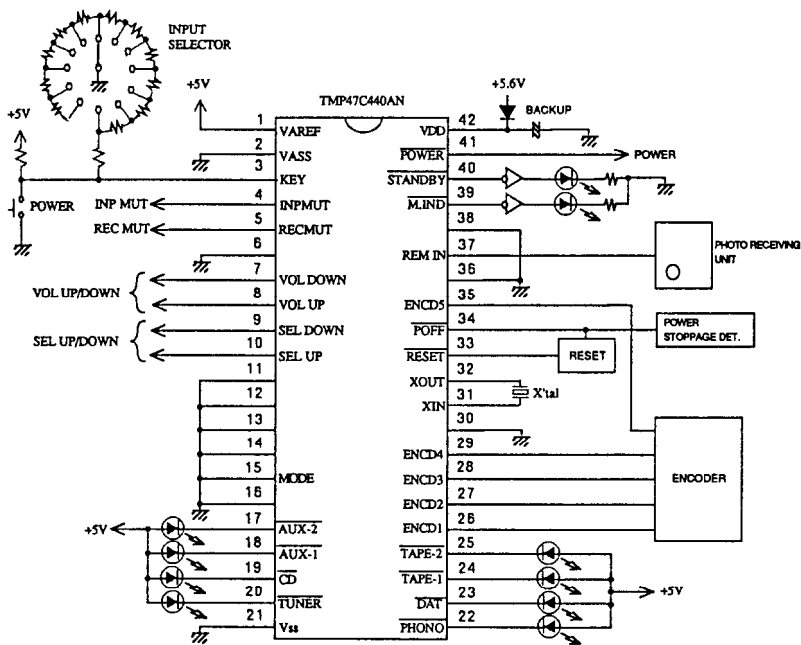
Note) The period before that relay stays OFF should not last for more than 1 minute.

Relay OFF status can be canceled by switching the power OFF.



IC BLOCK DIAGRAM

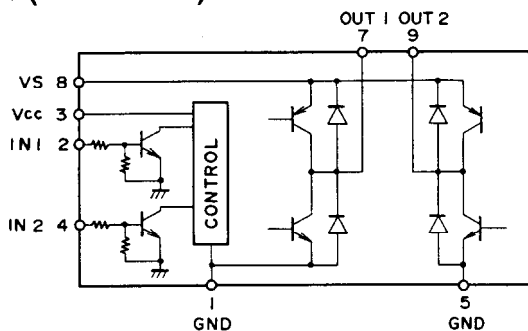
TMP47C440AN (Microprocessor)



Pin No.	Symbol	Description																								
1	VAREF	Analog reference voltage for A/D conversion																								
2	VASS	Analog reference GND for A/D conversion																								
3	KEY	Input Selector, Power key input terminal. To read Input Selector and Power key by means of A/D conversion																								
4	INPUT	Muting output terminal for Main amplifier input. Active "H"																								
5	RECMUT	Muting output terminal for Rec. output. Active "H" To be output when switching Input Selector. To be output continuously in case of Input Selector TAPE-1, TAPE-2, DAT, and DIGITAL-4.																								
6	PLAYER	Control output terminal for PLAYER. "L" will be output for 200ms if input K64 code for remote control and set Input Selector for PHONO.																								
7	VOL DOWN	UP/DOWN output terminal for volume. Active "H" In case of UP (DOWN), VOL UP output will be "H" ("L"), while VOL DOWN output will be "L" ("H"). When not moving, both outputs shall be "H" (Brake).																								
8	VOL UP																									
9	SEL DOWN	UP/DOWN output terminal for Input Selector. Active "H" In case of UP (DOWN), SEL UP output will be "H" ("L"), While SEL DOWN output will be "L" ("H"). When not moving, both outputs shall be "H" (Brake).																								
10	SEL UP																									
11	S1	Output terminal for switching digital signal. Switch as follows through the position of Input Selector.																								
12	S2																									
13	S3																									
		<table border="1"> <thead> <tr> <th>Input selector</th> <th>Output S3</th> <th>Output S2</th> <th>Output S1</th> </tr> </thead> <tbody> <tr> <td>DIGITAL-1</td> <td>L</td> <td>L</td> <td>L</td> </tr> <tr> <td>DIGITAL-2</td> <td>L</td> <td>L</td> <td>H</td> </tr> <tr> <td>DIGITAL-3</td> <td>L</td> <td>H</td> <td>L</td> </tr> <tr> <td>DIGITAL-4</td> <td>L</td> <td>H</td> <td>H</td> </tr> <tr> <td>Others (Analog)</td> <td>H</td> <td>H</td> <td>H</td> </tr> </tbody> </table>	Input selector	Output S3	Output S2	Output S1	DIGITAL-1	L	L	L	DIGITAL-2	L	L	H	DIGITAL-3	L	H	L	DIGITAL-4	L	H	H	Others (Analog)	H	H	H
Input selector	Output S3	Output S2	Output S1																							
DIGITAL-1	L	L	L																							
DIGITAL-2	L	L	H																							
DIGITAL-3	L	H	L																							
DIGITAL-4	L	H	H																							
Others (Analog)	H	H	H																							
14	EXP/JPN	Input terminal for remote control initialization when energizing.																								

Pin No.	Symbol	Description									
15	DIG-4/MODE	Output terminal for Input Selector display. Output of the position currently selected will be "L" (lighted). DIG-4/MODE output will be input terminal MODE for initialization of operation switch when energizing. Output DIG-1/AUX-1, DIG-2/AUX-2 will be switched by initializing MODE into;									
16	DIG-3										
17	DIG-2/AUX-2										
18	DIG-1/AUX-1										
19	CD										
20	TUNER	<table border="1"> <tr> <td>MODE</td> <td>DIG-1/AUX-1</td> <td>DIG-2/AUX-2</td> </tr> <tr> <td>L (0)</td> <td>AUX-1</td> <td>AUX-2</td> </tr> <tr> <td>H (1)</td> <td>DIG-1</td> <td>DIG-2</td> </tr> </table>	MODE	DIG-1/AUX-1	DIG-2/AUX-2	L (0)	AUX-1	AUX-2	H (1)	DIG-1	DIG-2
MODE	DIG-1/AUX-1	DIG-2/AUX-2									
L (0)	AUX-1	AUX-2									
H (1)	DIG-1	DIG-2									
21	VSS	GND terminal									
22	PHONO	Output terminal for Input Selector display. The output of the position currently selected will be "L (lighted)."									
23	DAT										
24	TAPE-1										
25	TAPE-2										
26	ENCD1										
27	ENCD2	Input terminal for detecting position of rotary sw of input Selector. To be connected with Encoder output for position detecting of Rotary sw.									
28	ENCD3										
29	ENCD4										
30	TEST	To be connected with GND.									
31	XIN	Terminal for connecting with ceramic oscillator (4 MHz)									
32	XOUT										
33	RESET	Input terminal for reset signal. Active "L"									
34	POFF	Input terminal for detecting power suspension. Take a countermeasure as soon as possible against power failure when turned into "L". Set at HOLD mode.									
35	ENCD5	Input terminal for detecting Rotary sw position of Input Selector. To be connected with Encoder output for position detecting of Rotary sw.									
36	SYS OUT/SYS EN	Output terminal for System code. Active "L" to be turned into SYS EN for initialization input when energizing.									
37	REM IN	Input terminal for remote control signal. Active "L" To be connected with output of photoreceivin unit.									
38	SYS IN	Input terminal for System code. Active "H".									
39	M. IND	Output terminal for Muting display. Lighted in case of "L" To be set "L" when Muting of remote control is ON.									
40	STANBY	Output terminal for Standby display. Lighted incase of "L" To be turned into "L" when Power is OFF. Except the case of power suspension, the level inverted of Power output is always output.									
41	POWER	Output terminal for Power control. "L" When Power is ON									
42	VDD	Power (+5V) Connccting terminal.									

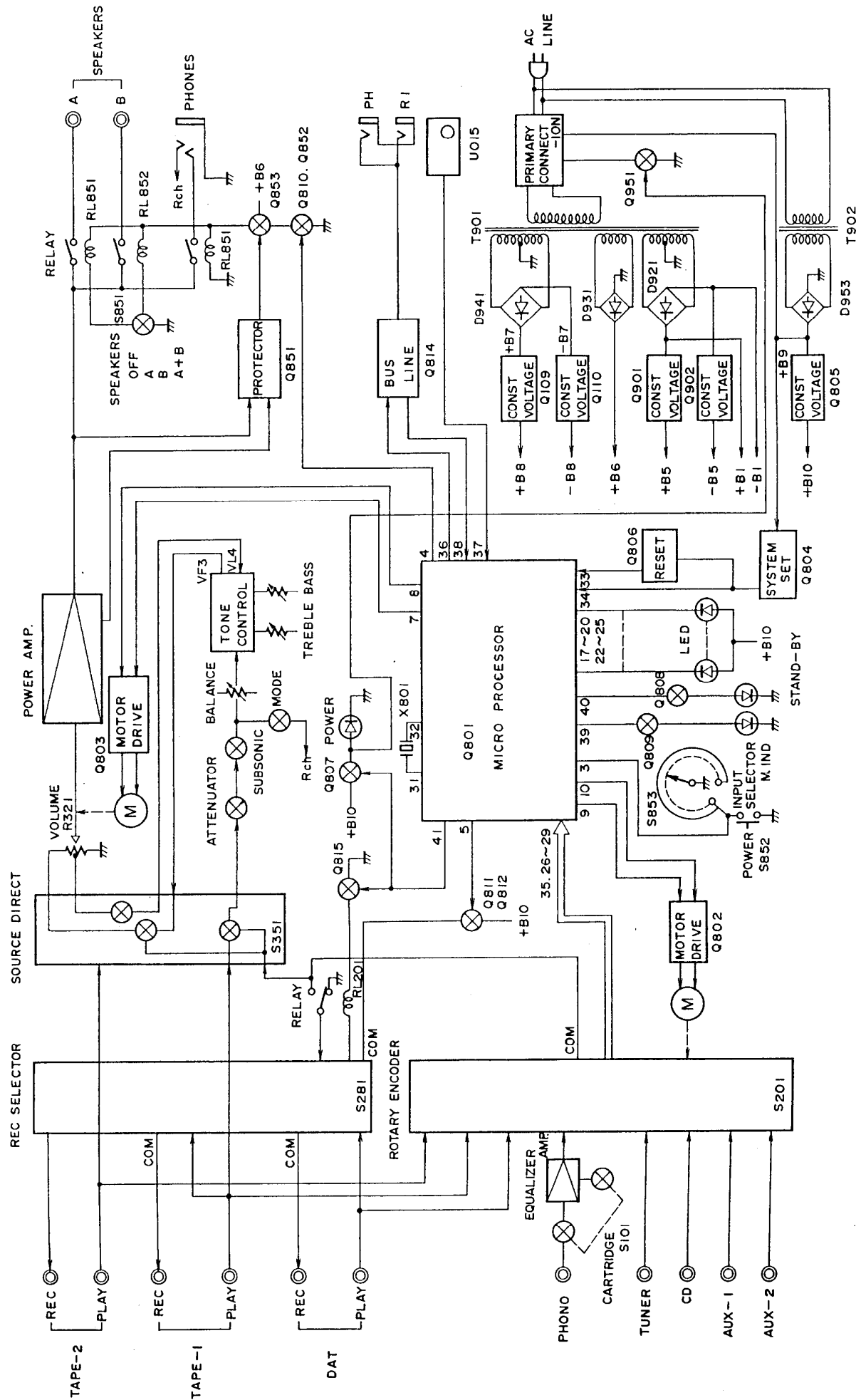
LB1638 (Motor drive)



Taugh Table

IN 1	IN 2	OUT 1	OUT 2	モード
H	L	H	L	NORMAL
L	H	L	H	REVERSE
H	H	L	L	BRAKE
L	L	OFF	OFF	WAIT

BLOCK DIAGRAM



CHASSIS EXPLODED VIEW PARTS LIST

REF. NO.	PART NO.	DESCRIPTION,	REF. NO.	PART NO.	DESCRIPTION,
A001	27110588-1C	FRONT BRACKET	A811	28324407	KNOB (SEL) [BLK]
A002	27270212	SPACER	A811	28324409	KNOB (SEL) [SIL]
A006	27121481A	BACK PANEL [D]	A812	28324408	KNOB (D) [BLK]
A006	27121482A	BACK PANEL [P]	A812	28324410	KNOB (D) [SIL]
A006	27121484A	BACK PANEL [W]	A813	28324086	KNOB (SP) [BLK]
A006	27121526	BACK PANEL [Q]	A813	28324416	KNOB (SP) [SIL]
A009	28140859	60 × 20 × 1.5T, CUSHION	A814	28324411	KNOB (TONE) [BLK]
A010	28140695	25 × 240 × 1.5T, CUSHION	A814	28324412	KNOB (TONE) [SIL]
A011	27130622A	BRACKET (SHIELD)	A815	28324088A	KNOB (PUSH) [BLK]
A012	27130623	BRACKET (L)	A815	28324417	KNOB (PUSH) [SIL]
A013	27130624	BRACKET (R)	Q611, Q612	2201793 OR	2SA1493-O OR
A014	27130656A	BRACKET (C)		2201796 OR	2SA1493-P OR
A016	27190846	HOLDER (CAPACITOR)		2201794	2SA1493-Y, TRANSISTOR
A017	27130627	BRACKET (EQ)	Q613, Q614	2201803 OR	2SC3857-O OR
A020	27300833	WS-2NS, CRAMP		2201806 OR	2SC3857-P OR
A022	27300750	#2271, BUSHING (AC CORD)		2201804	2SC3857-Y, TRANSISTOR
A023	27270213	SPACER (PT)	△ T901	2300714	NPT-1118D, POWER
A024	27301394	HL-18-0, CRAMP			TRANSFORMER [D]
A026	27160284	RADIATION	△ T901	2300715	NPT-1118P, POWER
A030	28140808	50 × 50 × 3T, CUSHION			TRANSFORMER [P]
A035	800529	BUSHING (PC)	△ T901	2300716	NPT-1118DG, POWER
A038	82143006	3P+6FN(BC), PAN-HEAD SCREW			TRANSFORMER [W]
A039	801433	3SMS8WSW+14B(BC), SPECIAL TAP-TIGHT SCREW	△ T901	2300717	NPT-1118Q, POWER
A042	834430088	3TTS+8B(BC), TAP-TIGHT SCREW	S101	25030348	TRANSFORMER [Q]
A043	831130088	3TTW+8B, TAP-TIGHT SCREW			NRSF-102-20BU, SWITCH
A044	830440109	4TTC+10C(BC), TAP-TIGHT SCREW	S281	25030349	OPERATION SECTION
A045	801230	3STS+8BQ(BC), TAP-TIGHT SCREW	S902	25065287	OPERATION SECTION
A047	838440089	4TTB+8C(BC), TAP-TIGHT SCREW	P005	25060044	NSS-22113P, SLIDE SWITCH [W]
A049	831430088	3TTW+8B(BC), TAP-TIGHT SCREW	△ P901, P902	25050337	TERMINAL (GROUND)
A051	837440169	4TTT+16C(BC), TAP-TIGHT SCREW	△ P901, P902	25050346	NSCT-2P164, AC SOCKET [P]
A303	28184464	TOP COVER	△ P903	253123	NSCT-2P173, AC SOCKET [Q]
A304	27265155A	COSMETIC RING (COVER)		253161	AS-UC-6 #18 OR
A305	28140695	25 × 240 × 1.5T, CUSHION		253146	AS-UC-6 #18 OR
A306	28140693	10 × 185 × 1.5T, CUSHION	△ P903	253168	AS-UC-6 #18 OR
A500	1A297121	FRONT PANEL ASS'Y [BLK]		253148 OR	AS-UC-6 #18, POWER SUPPLY
(A511)	27265219	COSMETIC RING (L) [BLK]		253150	CABLE [D]
(A512)	27265224A	COSMETIC RING ASS'Y (SEL) [BLK]	△ P903	253092-1A	AS-CEE OR
(A516)	28198742	FACET			AS-CEE, POWER SUPPLY CABLE
(A518)	27265223	COSMETIC RING (D) [BLK]	△ P903	253170	[P]
(A519)	27265220-3A	COSMETIC RING (R) [BLK]			AS-CEE-2, POWER SUPPLY
(A520)	28198742	FACET	△ P903	253170	CABLE [W]
(A523)	27265221-3	COSMETIC RING (VOL) [BLK]	△ F901	252051	AS-SAA, POWER SUPPLY CABLE
(A524)	28135199	NAME PLATE	△ F901	252075	[A]
(A801)	28324082A	KNOB ASS'Y (POW) [BLK]	△ F902	252076	6A ST-6, FUSE [D, W]
(A805)	28191568	CLEAR PLATE (RE)	U001	1A297509-2	2.5A-SE-EAK, FUSE [P]
(A806)	28198753	FACET			3.15A-SE-EAK, FUSE [P, W, Q]
(A807)	28198742	FACET	U002	1A297510-2	NAAF-4209-2, MAIN CIRCUIT PC
A808	28199190	FILM	U003	1A297511-2	BOARD ASS'Y
A500	1A297121	FRONT PANEL ASS'Y [SIL]			NAETC-4210-2, SPEAKER
(A511)	27265219-1	COSMETIC RING (L) [SIL]	U004	1A297512-2	TERMINAL PC BOARD ASS'Y
(A512)	27265224-3A	COSMETIC RING ASS'Y (SEL) [SIL]	U005	1A297513-2	NAETC-4211-2, AC SOCKET PC
(A518)	27265223-3	COSMETIC RING (D) [SIL]			BOARD ASS'Y [D]
(A519)	27265220-4	COSMETIC RING (R) [SIL]	U006	1A297514-2	NASW-4212-2, INPUT CIRCUIT PC
(A523)	27265221-4	COSMETIC RING (VOL) [SIL]			BOARD ASS'Y
(A801)	28324414	KNOB ASS'Y (POW) [SIL]	U006	1A297514-2A	NAPS-4213-2, POWER SUPPLY
A503	28185359	SIDE BOARD (L)			CIRCUIT (1) PCBOARD ASS'Y
A505	28185360	SIDE BOARD (R)	U006	1A297514-2	NAETC-4214-2, POWER SUPPLY
A631	27170271	BOTTOM BOARD (L)			CIRCUIT (2) PCBOARD ASS'Y [D]
A632	27170272A	BOTTOM BOARD (R)	U006	1A297514-2A	NAETC-4214-2A, POWER SUPPLY
A633	28141024	20 × 240 × 2.5T, CUSHION			CIRCUIT (2) PC BOARD ASS'Y [P]
A636	27175251	LEG ASS'Y	U006	1A297514-2B	NAETC-4214-2B, POWER SUPPLY
A810	28324083A	KNOB (VOL) [BLK]			CIRCUIT (2) PC BOARD ASS'Y [W]
A810	28324413A	KNOB (VOL) [SIL]	U006	1A297514-2C	NAETC-4214-2C, POWER SUPPLY
			U007	1A297515-2	CIRCUIT (2) PC BOARD ASS'Y [Q]
					NADG-4215-2, MICROPROCESSOR
					CIRCUIT PCBOARD ASS'Y [D]

REF. NO.	PART NO.	DESCRIPTION,
U007	1A297515-2A	NADG-4215-2A, MICROPROCESSOR CIRCUIT PC BOARD ASS'Y [P, W, Q]
U008	1A297517-1	NAAF-4217-1, VOLUME & DIRECT SWITCH CIRCUIT PC BOARD ASS'Y
U009	1A297518-2	NAAF-4218-2, MUTING/SUBSONIC SWITCH PC BOARD ASS'Y
U010	1A297519-2	NASW-4219-2, TONE CONTROL CIRCUIT PC BOARD ASS'Y
U011	1A297520-2	NADIS-4220-2, PHOTO RECEIVING CIRCUIT PC BOARD ASS'Y
U012	1A297521-2	NASW-4221-2, SPEAKER SWITCH CIRCUIT PC BOARD ASS'Y
U013	1A297522-2	NADIS-4222-2, LED PC BOARD ASS'Y
U014	1A297523-2	NADIS-4223-2, LED PC BOARD ASS'Y
U015	1A297524-2	NAETC-4224-2, REMOTE CONTROL TERMINAL PC BOARD ASS'Y [D]
U015	1A297524-2A	NAETC-4224-2A, REMOTE CONTROL TERMINAL PC BOARD ASS'Y [P, W, Q]
U016	1A297525-2	NAETC-4225-2, TUNER TERMINAL PC BOARD ASS'Y

NOTE: [D]: ONLY 120V MODEL
 [P]: ONLY 230V MODEL
 [W]: ONLY 120V/220V MODEL
 [Q]: ONLY 240V MODEL
 [A]: ONLY AUSTRALIAN MODEL
 [BLK]: ONLY BLACK MODEL
 [SIL]: ONLY SILVER MODEL

NOTE:
 THE COMPONENTS IDENTIFIED BY MARK ARE CRITICAL FOR RISK OF FIRE AND ELECTRIC SHOCK. REPLACE ONLY WITH PARTS NUMBER SPECIFIED.

PRINTED CIRCUIT BOARD PARTS LIST

MAIN CIRCUIT PC BOARD (NAAF-4209-2)

CIRCUIT NO.	PART NO.	DESCRIPTION	CIRCUIT NO.	PART NO.	DESCRIPTION
ICs			Q902	2211354 OR 2211353	2SA949-Y OR 2SA949-O
Q105, Q106	222570	NJM4560D-X	Q903, Q904	2211945	2SK246-GR
Q109	222780183	78L18	Diodes		
Q110	222790183	79L18	D505, D506	225251	TLR112, LED
Q519, Q520	222570	NJM4560D-X	D511-D516	223163	1SS133
Q851	222584	TA7317P	D517-D520	225251	TLR112, LED
Transistors			D851, D852	223163	1SS133
Q101, Q102	2211535 OR	2SK146-GR OR	D853	224450623	MTZ6.2C, Zener
	2211536 OR	2SK146-BL OR	D854	223163	1SS133
	2211537	2SK146-V	D901-D903	224450562	MTZ5.6B, Zener
Q501, Q502	2212805 OR	2SK389-GR OR	D905, D906	225251	TLR112, LED
	2212806 OR	2SK389-BL OR	D907, D908	224452204	MTZ22D, Zener
	2212807	2SK389-V	Coils		
Q503-Q506	2211733 OR	2SC1845-E OR	L601, L602	231134	S-0 8E
	2211732	2SC1845-F	L201-L203	230905	BL02RN1-R62
Q507, Q508	2213666 OR	2SA1240-F OR	Capacitors		
	2213667	2SA1240-G	C105, C106	372121214	120 pF, 50V, Styrene
Q511, Q512	2211455 OR	2SA1015-GR OR	C111, C112	379122024	2000 pF, 50V, Film (DEW)
	2211454	2SA1015-Y	C113-C116	379122434	0.024 μF, 50V, Film (DEW)
Q513, Q514	2211354 OR	2SA949-Y OR	C117, C118	374724334	0.043 μF, 50V, Film (TF)
	2211353	2SA949-O	C119-C122	391251017	100 μF, 25V, Elect.(MUSE)
Q517, Q518	2211255 OR	2SC1815-GR OR	C123, C124	374722024	2000 pF, 50V, Film (TF)
	2211256	2SC1815-BL	C147, C148	354764719	470 μF, 35V, Elect.
Q581-Q584	2211634 OR	2SC2229-Y OR	C151, C152	354761019	100 μF, 35V, Elect.
Q601, Q602	2211633	2SC2229-O	C153, C154	354762219	220 μF, 35V, Elect.
Q603, Q604	2211354 OR	2SA949-Y OR	C155, C156		
	2211353	2SA949-O	C501, C502	372121014	100 pF, 50V, Styrene
Q605, Q606	2202034 OR	2SD1763A-D OR	C509, C510	372121014	100 pF, 50V, Styrene
	2202035	2SD1763A-E	C511, C512	372123304	33 pF, 50V, Styrene
Q607, Q608	2202024 OR	2SB1186A-D OR	C513-C516	391252207	22 μF, 25V, Elect.(MUSE)
	2202025	2SB1186A-E	C523, C524	354742219	220 μF, 16V, Elect.
Q617, Q618	2211634 OR	2SC2229-Y OR	C525-C526	374722235	0.022 μF, 50V, Film (TF)
	2211633	2SC2229-O	C527, C528	374794734	0.047 μF, 63V, Film (TF)
Q619, Q620	2211793 OR	2SA992-E OR	C529, C530	354790479	4.7 μF, 100V, Elect.
	2211792	2SA992-F	C605, C606	354741019	100 μF, 16V, Elect.
Q852	2212600	DTA124ES	C607, C608	374791044	0.1 μF, 63V, Film (TF)
Q853	2211504	2SA950-Y	C609, C610	374794734	0.047 μF, 63V, Film (TF)
Q901	2211634 OR	2SC2229-Y OR			
	2211633	2SC2229-O			

CIRCUIT NO.	PART NO.	DESCRIPTION
C619-C622	374791044	0.1 μ F, 63V, Film (TF)
C851	354722219	220 μ F, 6.3V, Elect.
C852	354742209	22 μ F, 16V, Elect.
C853	354784799	0.47 μ F, 50V, Elect.
C855	354743319	330 μ F, 16V, Elect.
C858, C859	374721044	0.1 μ F, 50V, Film (TF)
C901-C903	354772219	220 μ F, 63V, Elect.
C905, C906	354782219	220 μ F, 50V, Elect.
C913, C914	354754719	470 μ F, 25V, Elect.
C915, C916	354761019	100 μ F, 35V, Elect.
C921		
Resistors		
R151, R152	442525604	56 Ω , 1/2W, Metal oxide film
R527, R528	442524734	47 k Ω , 1/2W, Metal oxide film
R535, R536	5210062	N06HR4.7KBD, Semi-fixed
R601, R602	442522224	2.2 k Ω , 1/2W, Metal oxide film
R603, R604	442522214	220 Ω , 1/2W, Metal oxide film
R609-R612	442520224	2.2 Ω , 1/2W, Metal oxide film
R623-R626	4000078	0.33 Ω , 5W, Metal plate
R633, R634	442820824	8.2 Ω , 3W, Metal oxide film
R862	442525114	510 Ω , 1/2W, Metal oxide film
R875, R876	441623914	390 Ω , 1W, Metal oxide film
R901-R903	441621304	13 Ω , 1W, Metal oxide film
R905, R906	442525614	560 Ω , 1/2W, Metal oxide film
Switch		
S101	25065439	NSS-62159, Slide switch
Relaies		
RL851, RL852	25065275	NRL-2P5A-DC12-38
Plug		
P104	25055100	NPLG-3P84
P256	25055133	NPLG-3P117
P321	25055137	NPLG-7P121
P852	25055139	NPLG-9P123
Terminal		
P101	25045341	NPJ-2PDBL-192
Socket ass'y		
P103	2000551	NSAS-6P507
P752	2009990003	NSAS-06P0007
P753	2009990004	NSAS-06P0008
Jumper sockets		
JL211	25050268	NSCT-4P96
JL212, JL213	25050267	NSCT-3P95
JL951		
Bracket		
	27141059	(Ground)
	27301427	(Bus)
Cushion		
	28140963	
Holder clamp		
	27301186	MSA-1606
	27301271	MSA-1609

SPEAKER TERMINAL PC BOARD (NAETC-4210-2)

CIRCUIT NO.	PART NO.	DESCRIPTION
Terminals		
P751, P752	25060162	NTM-4PDMN088

AC SOCKET PC BOARD (NAETC-4211-2)

CIRCUIT NO.	PART NO.	DESCRIPTION
AC socket		
P905	25050388	NSCT-6P215 [D]

INPUT CIRCUIT PC BOARD (NASW-4212-2)

CIRCUIT NO.	PART NO.	DESCRIPTION
Diode		
D201	223163	1SS133
Capacitor		
C201	374721034	0.01 μ F, 50V, Film (TF)
Switches		
S201	25030330	NRS-2211-BA, Rotary
S281	25065438	NSS-84158, Slide
Relay		
RL201	25065397	NRL-2P1A-DC5-068
Input terminals		
P201-P204	25045305	NPJ-4PDBL164
P207	25045304	NPJ-2PDBL163
Plugs		
P205, P206	25055133	NPLG-3P117
P103A		
P211	25055139	NPLG-9P123
Socket ass'y		
P256	2009990090	NSAS-6P0128
Jumper socket		
JL201	25050267	NSCT-3P95

POWER SUPPLY CIRCUIT (1) PC BOARD (NAPS-4213-2)

CIRCUIT NO.	PART NO.	DESCRIPTION
Diodes		
D921	22380038	RBV-602
D922, D923	22380003	1N5402
D931, D941	22380039	1D4B42
Coils		
L921, L922	230905	BL02RN1-R62
Capacitors		
C921, C922	3504247	12000 μ F, 53V, Elect.
C923-C925	374503345	0.33 μ F, 125V, Film (ME)
C931, C932	374722235	0.022 μ F, 50V, Film (TF)
C933	354741029	1000 μ F, 16V, Elect.
C941, C942	354764719	470 μ F, 35V, Elect.
C943, C944	374722235	0.022 μ F, 50V, Film (TF)
C945		
Resistors		
R931	442520104	1 Ω , 1/2W, Metal oxide film
R932	441623314	330 Ω , 1W, Metal oxide film
R941, R942	442522294	0.22 Ω , 1/2W, Metal oxide film
Jumper socket		
JL941	25050267	NSCT-3P95
Socket ass'y		
P104	2009990069	NSAS-6P0106
Plug		
P951a	25055133	NPLG-3P117
Bracket		
	27301367	(Bus)
Radiator		
D921a	27160265	RAD-82

POWER SUPPLY CIRCUIT (2) PC BOARD (NAETC-4214-2, NAETC-4214-2A, NAETC-4214-2B, NAETC-4214-2C)

CIRCUIT NO.	PART NO.	DESCRIPTION
Transistor		
Q951	2213650	DTD113ZS



P905

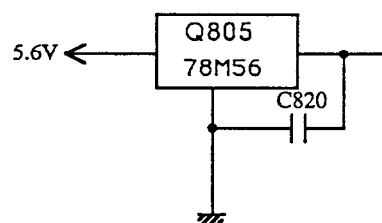
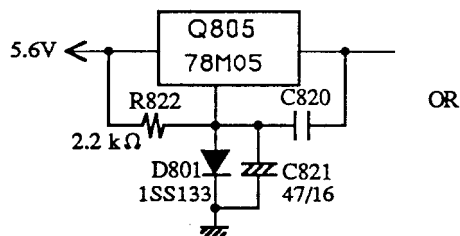
CIRCUIT NO	PART NO.	DESCRIPTION
Diodes		
D951	223163	1SS133
D952	22380039	1D4B42
Transformer		
▲ T902	2300710	NPT-1117D [D]
▲ T902	2300711	NPT-1117P [P]
▲ T902	2300712	NPT-1117DG [W]
▲ T902	2300713	NPT-1117Q [Q]
Capacitors		
C951~C952	374721034	0.01 μ F, 50V, Film (TF)
C954, C955	374722235	0.022 μ F, 50V, Film (TF)
C956	354752229	2200 μ F, 25V, Elect.
▲ C971	3500065A	0.01 μ F, AC400V/125V, Film (IS)
▲ C972	3500065A	0.01 μ F, AC400V/125V, Film (IS) [P, W, Q]
▲ C973	3500065A	0.01 μ F, AC400V/125V, Film (IS) [D, W]
Condensor cover		
▲ C971a, C972a C973a	27301216	SB1925A [P, W, Q]
Resistors		
R951	442520104	1 Ω , 1/2W, Metal oxide film
R952	441628214	820 Ω , 1W, Metal oxide film
Relay		
▲ RL901	25065248	NRL-1P15A-DC12-29
Terminals		
	25060092	NTM-1S33
Socket ass'y		
P951	2009990180	NSAS-6P0250
Fuse holder		
▲ F901a	250113	S-N5051 [D, W]
▲ F901a	25050065	YSH403T [P]
▲ F902a	25050065	YSH403T [P, W, Q]
Fuse label		
▲ F901b	29361343	6A/125V [D]
▲ F902b	29360374	T4A/250V [P, W, Q]

**MICROPROCESSOR CIRCUIT PC BOARD
(NADG-4215-2, NADG-4215-2A)**

CIRCUIT NO	PART NO.	DESCRIPTION
ICs		
Q801	22240377	TMP47C440AN-1997
Q802	22240358	LB1638
Q803	22240239	TA7291S
Q804	222951	M51943BSL
Q805	222780055	78M05HF
* (Q805)	222780565	78M56
Transistors		
Q806	2213160	DTC124ES
Q807~Q809	2213510	DTA114ES

CIRCUIT NO.	PART NO.	DESCRIPTION
Q810	2211255	2SC1815-GR
Q811	2213090	DTA114YS
Q812	2213650	DTD113ZS
Q813	2211164	2SC2120-Y
Q814	2213090	DTA114YS
Q815	2211504	2SA950-Y
Q816	221282	DTC144ES [D]
Q817	2213090	DTA114YS [D]
Diodes		
D801, D816	223163	1SS133
D803~D807		
D802	224450562	MTZ5.6B, Zener
D808~D815	225142DX2	SEL2913K-DX2, LED
D817	224450562	MTZ5.6B, Zener
Coils		
L801	233409K220	NCH-1284
L802~L805	230906	BL02RN2-R62
Osc, element		
X801	3010150	CST4.00M3W
Capacitors		
C803, C807	354744709	47 μ F, 16V, Elect.
C808	375524744	0.47 μ F, 50V, Film (MMT)
C810	3000051	0.047 F, 5.5V, Super
C816	374721044	0.1 μ F, 50V, Film (TF)
C819	354724719	470 μ F, 6.3V, Elect.
C821	354744709	47 μ F, 16V, Elect.
C822	354761009	10 μ F, 35V, Elect.
C824	354744709	47 μ F, 16V, Elect.
C827	353741009	10 μ F, 16V, Elect.
C829, C830	374721035	0.01 μ F, 50V, Film (TF)
Resistors		
R817, R818	49163103405	RM1/10IJ10K \times 5, Resistor network
R830	441620564	5.6 Ω , 1W, Metal oxide film
Socket ass'y		
P211	2009990110	NSAS-18P0167
P801	2000871	NSAS-6P827
Radiator		
Q805a	27160145	RAD-51
Switch		
S853	25030334	NRS-112-25RSM
Holder		
	27190786	(LED-8)

NOTE: *



**VOLUME & DIRECT SWITCH CIRCUIT PC BOARD
(NAAF-4217-1)**

CIRCUIT NO.	PART NO.	DESCRIPTION
	Resistor	
R321	5104293	N16RGM50KBT25, Variable
	Switch	
S351	25030336A	NRS-184-25SS, Rotary
	Socket ass'y	
P205	2000809	NSAS-6P765
P206	2000630	NSAS-6P586
P321	2009990181	NSAS-14P0251
	Plug	
P401A	25055133	NPLG-3P117

MUTING/SUBSONIC SWITCH PC BOARD (NAAF-4218-2)

CIRCUIT NO.	PART NO.	DESCRIPTION
	Capacitors	
C301-C304	374721635	0.016 μ F, 50V, Film (TF)
C305, C306	374721825	1800 pF, 50V, Film (TF)
C307, C308	374728234	0.082 μ F, 50V, Film (TF)
	Resistors	
R301	5148107A	N16RGM250KMN25, Variable
R302	5142002	N16RGM11C100K25, Variable
R303	5144011	N16RGM11C70K88K25, Variable

TONE CONTROL CIRCUIT PC BOARD (NASW-4219-2)

CIRCUIT NO.	PART NO.	DESCRIPTION
	Capacitors	
C331, C332	354784799	0.47 μ F, 50V, Elect.
	Switches	
S331 (S332)	25035601	NPS-222-L565
S333	25035584	NPS-122-L546

PHOTO RECEIVING CIRCUIT PC BOARD (NADIS-4220-2)

CIRCUIT NO.	PART NO.	DESCRIPTION
	Photo receiving unit	
U015	24130003	GP1U50XS
	Diodes	
D831-D833	223163	1SS133
D834-D836	225142DX2	SEL2913K-DX2, LED
	Capacitor	
C831	354744709	47 μ F, 16V, Elect.
	Switch	
S852	25035548	NRS-111-S510
	Holder	
	27190787	(LED-1)

SPEAKER SWITCH CIRCUIT PC BOARD (NASW-4221-2)

CIRCUIT NO.	PART NO.	DESCRIPTION
	Diode	
D855	223163	1SS133
	Switch	
S851	25030335	NRSF-124-20BU, Rotary
	Stereo jack	
P851	25045337	HLJ4317-01-3120
	Relay	
RL853	25065174	NRL-2P1A-DC12-09
	Socket ass'y	
P852	2009990185	NSAS-18P0255
	Shield plate	
	27150208	

LED PC BOARD (NADIS-4222-2)

CIRCUIT NO.	PART NO.	DESCRIPTION
	Diodes	
D203	225142DX2	SEL2913K-DX2, LED
	Jumper socket	
JL210	25050267	NSCT-3P95
	Holder	
	27190787	(LED-1)

LED PC BOARD (NADIS-4223-2)

CIRCUIT NO.	PART NO.	DESCRIPTION
	Diode	
D821	225142DX2	SEL2913K-DX2
	Holder	
	27190787	(LED-1)

**REMOTE CONTROL TERMINAL PC BOARD
(NAETC-4224-2, NAETC-4224-2A)**

CIRCUIT NO.	PART NO.	DESCRIPTION
	Mini jack	
P251	25045172	HSJ1003-01-020
	Plug	
P801a	25055133	NPLG-3P117

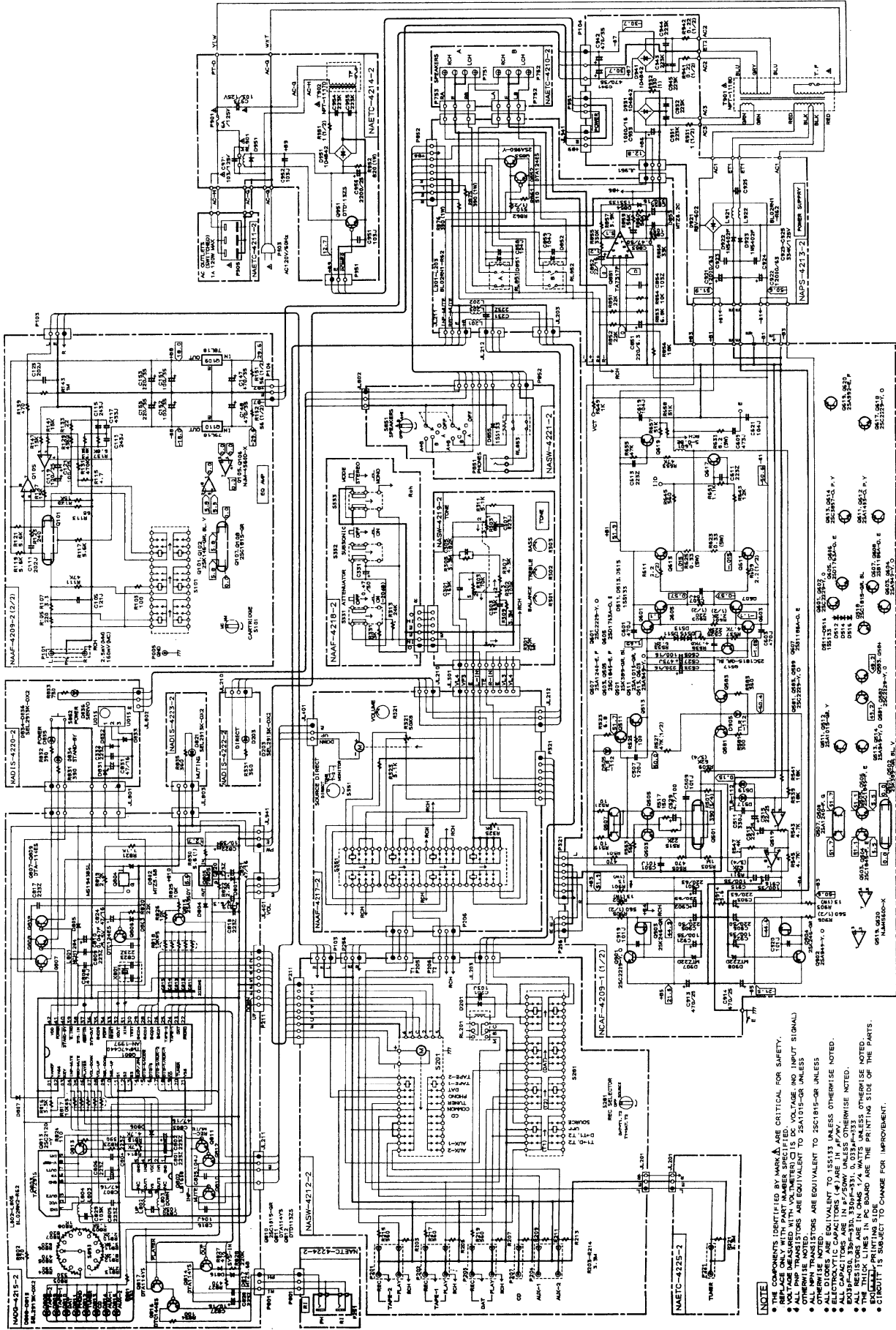
TUNER TERMINAL PC BOARD (NAETC-4225-2)

CIRCUIT NO.	PART NO.	DESCRIPTION
	Terminal	
P221	25045307	NPJ-2PDBL166

NOTE [D]: Only 120V model
[P]: Only 230V model
[W]: Only 120V/220V model
[Q]: Only 240V model

NOTE:
THE COMPONENTS IDENTIFIED BY MARK Δ ARE CRITICAL
FOR RISK OF FIRE AND ELECTRIC SHOCK. REPLACE ONLY
WITH PARTS NUMBER SPECIFIED.

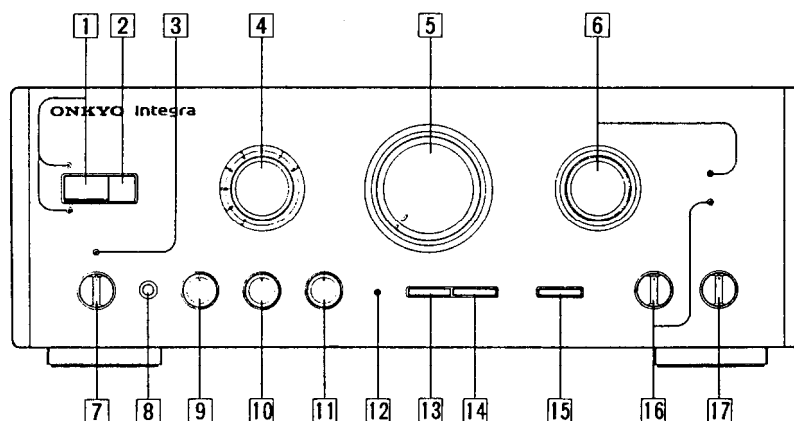
SCHEMATIC DIAGRAM MODEL A-807 (AC120V type)



NOTE

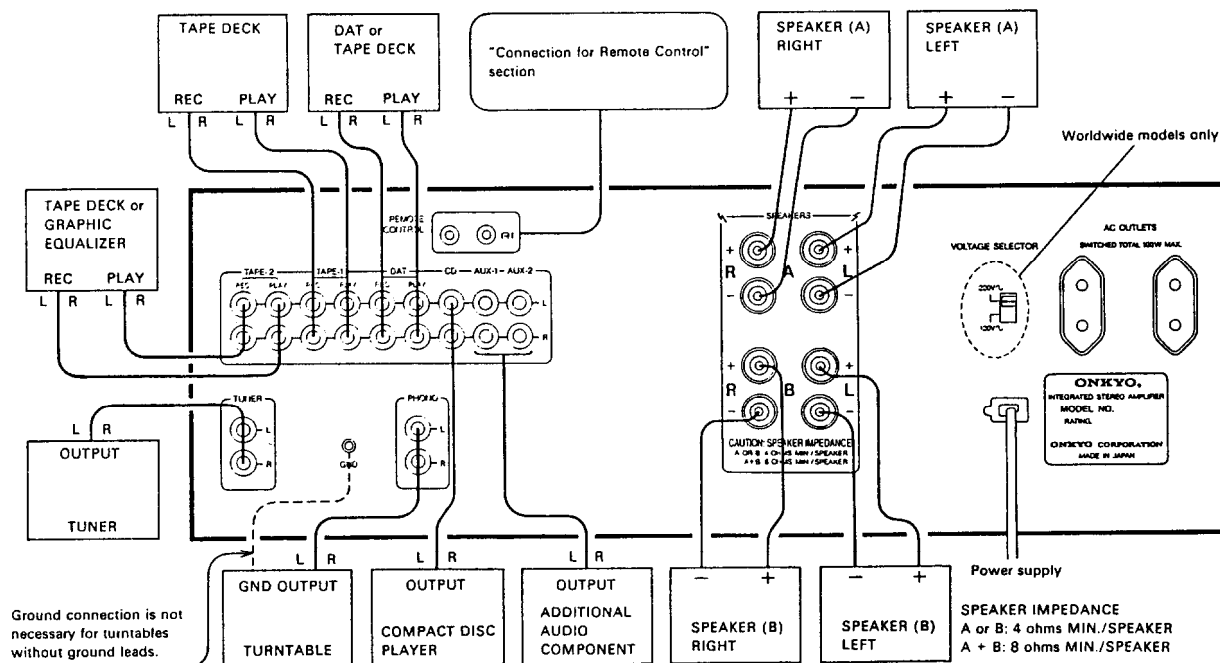
- THE COMPONENTS IDENTIFIED BY MARK A ARE CRITICAL FOR SAFETY.
- REPLACE ONLY WITH PART NUMBER SPECIFIED.
- ALL PARTS MEASURED WITH VOLTMETER ON DC VOLTAGE AND INPUT SIGNAL OTHERWISE NOTED.
- RESISTOR VALUES ARE EQUIVALENT TO 250105-OR UNLESS OTHERWISE NOTED.
- OTHER TUBE NOTATIONS ARE EQUIVALENT TO 25C1015-OR UNLESS OTHERWISE NOTED.
- ALL DIODES ARE EQUIVALENT TO 1S5133 UNLESS OTHERWISE NOTED.
- ALL CAPACITORS ARE IN P.P.M.V.
- 500P=50. 100P=10. 10P=1. 0.01P=0.01. 0.001P=0.001.
- ALL CAPACITORS ARE IN P.P.M.V. UNLESS OTHERWISE NOTED.
- THE THICK LINES IN PCB BOARD ARE THE PRINTING SIDE OF THE PRINTS.
- DIMENSIONS ARE IN MILLIMETERS UNLESS OTHERWISE NOTED.
- DIMENSIONS ARE IN MILLIMETERS UNLESS OTHERWISE NOTED.
- DIMENSIONS ARE IN MILLIMETERS UNLESS OTHERWISE NOTED.

FRONT PANEL FACILITIES



- | | |
|---|---|
| 1. Power switch (POWER) | 10. Treble control (TREBLE) |
| 2. Remote control sensor | 11. Balance control (BALANCE) |
| 3. Servo operation indicator (SERVO OPERATION) | 12. Muting indicator |
| 4. Input selector switch (INPUT SELECTOR)
TAPE-2, TAPE-1, DAT, PHONO, CD, AUX-1, AUX-2 | 13. Attenuator switch (ATTENUATOR) |
| 5. Volume control (VOLUME) | 14. Subsonic filter switch (SUBSONIC) |
| 6. Source direct switch (SOURCE DIRECT)
DIRECT, TONE, MONITOR TAPE-1/TAPE-2 | 15. Mode selector switch (MODE)
STEREO, MONO |
| 7. Speaker selector switch (SPEAKERS)
OFF, A, B, A+B | 16. Recording source selector switch (REC SELECTOR)
TAPE-1 → DAT & TAPE-2, DAT → TAPE-1 & 2
OFF
SOURCE |
| 8. Headphone jack (PHONES) | 17. Cartridge selector switch (CARTRIDGE)
MC, MM |
| 9. Bass control (BASS) | |

SYSTEM CONNECTIONS



PARTS LIST OF PACKING

REF. NO.	PART NO.	DESCRIPTION
A851	29052262	MASTER CARTON BOX [BLK]
A851	29052264	MASTER CARTON BOX [SIL]
A852	29091425A	PAD, LEFT
A853	29091426A	PAD, RIGHT
A854	261504	PAPER TAPE
A855	29100035A	1020 × 720, POLY-VINYL BAG
A857	282320	SEALING HOOK
A858	29110071	DAMPLON TAPE (W=50)
ACCESSORY BAG		
A901	29341648	INSTRUCTION MANUAL [D, N]
A901	29341649	INSTRUCTION MANUAL [P, F, W, Q]
	29365019A	WARRANTYCARD [N]
	29358002J	SERVICE STATION LIST [N]
	29365024	WARRANTYCARD [F]
	29100107	POLY-VINYL BAG [F]
	29365029	WARRANTYCARD [A]
A903	24140206	RC-206S, REMOTE CONTROL TRANSMITTER [D, N]
A903	24140207	RC-207S, REMOTE CONTROL TRANSMITTER [P, F, W, Q]
A904	3010054	UM-3, BATTERY
A905	2010200	3.5 mm, MINI PLUG ASS'Y
	25055018	CV-K-1, CONVERSION PLUG [W]
A906	29100097	350 × 250, POLY-VINYL BAG

NOTE [D]: ONLY 120V MODEL
 [P]: ONLY 230V MODEL
 [W]: ONLY 120V/220V MODEL
 [Q]: ONLY 240V MODEL
 [N]: ONLY U.S.A. MODEL
 [F]: ONLY FRENCH MODEL
 [A]: ONLY AUSTRALIAN MODEL
 [BLK]: ONLY BLACK MODEL
 [SIL]: ONLY SILVER MODEL